

IBM Flex System Enterprise Chassis

IBM Redbooks Product Guide

IBM Flex System™, a new category of computing and the next generation of Smarter Computing, is anchored by the IBM Flex System Enterprise Chassis. This platform offers intelligent workload deployment and management for maximum business agility. This chassis delivers high-speed performance complete with integrated servers, storage, and networking for multiple chassis management in data center compute environments. Furthermore, its flexible design can meet the needs of varying workloads with independently scalable IT resource pools for higher utilization and lower cost per workload. While increased security and resiliency protect vital information and promote maximum uptime, the integrated, easy-to-use management system reduces setup time and complexity, providing a quicker path to return on investment.

The IBM Flex System Enterprise Chassis is shown in Figure 1.



Figure 1. The IBM Flex System Enterprise Chassis

Did you know?

IBM Flex System is the platform for IBM® PureFlex System. IBM PureFlex System combines advanced IBM hardware and software along with patterns of expertise and integrates them into three optimized configurations, Express, Standard, and Enterprise, that are simple to acquire and deploy so you get fast time to value for your solution.

Key features

The IBM Flex System Enterprise Chassis is a simple, integrated infrastructure platform that supports a mix of compute, storage, and networking resources to meet the demands of your applications. The solution is easily scalable with the addition of another chassis with the required nodes. With the IBM Flex System Manager, multiple chassis can be monitored from a single screen. The 14 node, 10U chassis delivers high-speed performance complete with integrated servers, storage, and networking. This flexible chassis is designed for a simple deployment now and to scale to meet your needs in the future.

Flexibility and efficiency

The 14 bays in the chassis allow the installation of compute or management nodes, with networking modules in the rear. A single chassis or a group of chassis can be fully customized to the specific needs of the computing environment. With support for POWER7® and Intel processor-based nodes, you can choose the architecture you need. IT can meet the needs of the business using a single system across multiple architectures and operating environments.

The system monitors and manages power usage on all major chassis components so you have total control over power consumption. The chassis supports N+N or N+1 redundant power supplies, configurable in either a single or three-phase power domain and an entirely passive mid-plane to meet your reliability needs. The power supplies are 80 PLUS Platinum-certified indicating high energy efficiency. The chassis design also optimizes cooling with cooling zones within the chassis. The system manages the fan modules based on node configuration within the chassis. So, the system can increase the speed of certain fan modules to cool potential hot spots, and use lower speeds for other fan modules where appropriate.

Easily scalable with simple administration

Because the IBM Flex System Enterprise Chassis is an all-in-one solution, it is designed for growth from a single chassis to many. Adding compute, storage, or networking capability is as simple as adding additional nodes, modules, or chassis. The simple, highly integrated management system allows you to use the Chassis Management Modules integrated into each chassis to administer a single chassis, or IBM Flex System Manager controls up to 16 chassis from a single panel.

Designed for multiple generations of technology

The IBM Flex System Enterprise Chassis is designed to be the foundation of your IT infrastructure now and into the future. Compute performance requirements are always on the rise and networking demands continue to grow with rising bandwidth needs and a shrinking tolerance for latency. The chassis is designed to scale to meet the needs of your future workloads, offering the flexibility to support current and future innovations in compute, storage, and networking technology.

Locations of key components and connectors

Figure 2 shows the front of the Enterprise Chassis.

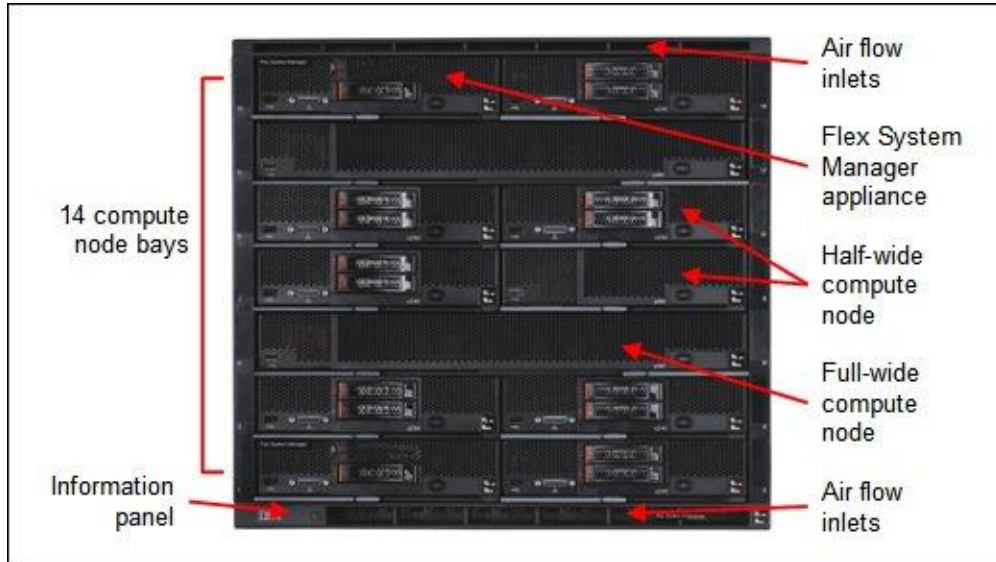


Figure 2. Front of the IBM Flex System Enterprise Chassis

Figure 3 shows the rear of the Enterprise Chassis.

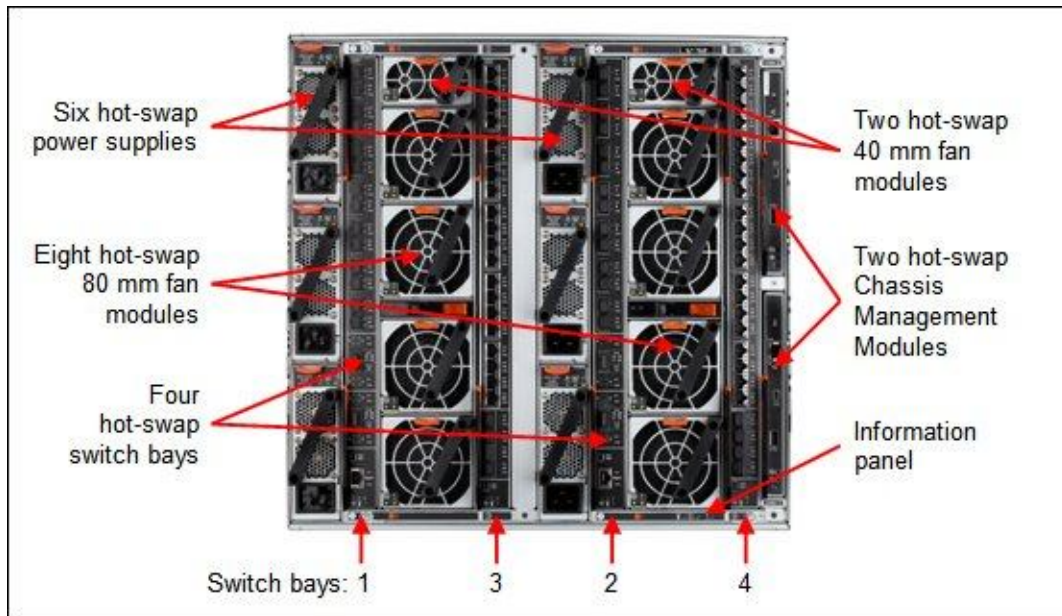


Figure 3. Rear of the IBM Flex System Enterprise Chassis

Standard specifications

The following table lists the standard specifications.

Table 1. Standard specifications

Components	Specification
Model	System x® ordering sales channel: 8721-A1x or 8271-LRx Power Systems™ sales channel: 7893-92X
Form factor	10U rack-mounted unit.
Maximum number of compute nodes supported	14 half-wide (single bay), seven full-wide (two bays), or three double-height full-wide (four bays). Mixing is supported.
Chassis per 42U rack	Four.
Nodes per 42U rack	56 half-wide, or 28 full-wide.
Management	One or two Chassis Management Modules (CMMs), for basic chassis management. Two CMMs form a redundant pair; One CMM standard in 8721-A1x. The CMM interfaces with the integrated management module (IMM) or Flexible Service Processor (FSP) integrated in each compute node in the chassis. Optional IBM Flex System Manager management appliance for comprehensive management, including virtualization, networking, and storage management.
I/O architecture	Up to eight lanes of I/O to an I/O adapter card, with each lane capable of up to 16 Gbps bandwidth. Up to 16 lanes of I/O to a half-wide node with two adapters. A wide variety of networking solutions, including Ethernet, Fibre Channel, Fibre Channel over Ethernet (FCoE), and InfiniBand.
Power supplies	Six power modules that provide N+N or N+1 redundant power; Two standard, six maximum. Models A1x and K1G have 2500W power supplies standard, LRx has 2100W power supplies. Power supplies are 80 PLUS Platinum-certified and provide 95% efficiency at 50% load and 92% efficiency at 100% load. Power capacity of 2500 W or 2100 W output rated at 200VAC. Each power supply contains two independently powered 40 mm cooling fan modules.
Fan modules	Ten fan modules (eight 80 mm fan modules and two 40 mm fan modules); Four 80 mm and two 40 mm fan modules standard.
Dimensions	Height: 440 mm (17.3 in) Width: 447 mm (17.6 in) Depth: 800 mm (31.5 in) (measured from front bezel to rear of chassis), 840 mm (33.1 in) (measured from node latch handle to the power supply handle)
Weight	Minimum configuration: 96.62 kg (213 lb) Maximum configuration: 220.45 kg (486 lb)
Declared sound level	7.5 bels
Temperature	Operating air temperature 5°C to 40°C
Electrical power	Input power: 200 - 240 V ac (nominal), 50 or 60 Hz Minimum configuration: 0.51 kVA (two power supplies) Maximum configuration: 13 kVA (six power supplies)
Power consumption	12,900 watts maximum

The IBM Flex System Enterprise Chassis model 8721-A1x ships with the following items:

- One Chassis Management Module
- Two 2500 W power supplies
- Four 80 mm Fan Modules
- Two 40 mm Fan Modules
- Four Power Supply Fillers
- One Console Breakout Cable
- Two C19 to C20 two-meter power cables
- One Rack Mount Kit

Model LRx is the same as A1x except that it contains two 2100 W power supplies instead of 2500 W supplies.

Models

The following table lists the specifications of the standard Enterprise Chassis models.

Table 2. Models

Model	Node bays	CMM (2 max)	FSM (1 max)	I/O bays	Power supplies (6 max)	40mm fans (2 max)	80mm fan (8 max = 4 pairs)	Console breakout cable
8721-A1x	14	1	Optional	4	2x 2500W	2	4 (2 pairs)	1
8271-LRx	14	1	Optional	4	2x 2100W	2	4 (2 pairs)	1
8721-K1G*	14	1	Optional	4	2x 2500W	2	4 (2 pairs)	1

* K1G is an Express Model for Europe

Supported compute nodes

The following table lists the compute nodes that are supported in the IBM Flex System Enterprise Chassis. The table also lists the maximum number installable.

Table 2. Supported compute nodes and maximum quantities

Description	Machine type	Maximum number of nodes per chassis*
IBM Flex System x220 Compute Node	7906	14
IBM Flex System x222 Compute Node	7916	14
IBM Flex System x240 Compute Node	8737	14
IBM Flex System x440 Compute Node	7917	7
IBM Flex System p24L Compute Node	1457	14
IBM Flex System p260 Compute Node	7895-22X	14
IBM Flex System p460 Compute Node	7895-42X	7
IBM Flex System Manager Node	8731-A1x	1 (2 per 16 chassis)

* The actual number of compute nodes systems that can be powered on in a chassis depends on these factors:

- The TDP power rating for the processors that are installed in the compute nodes (x86 servers)
- The number of power supplies installed in the chassis
- The capacity of the power supplies installed in the chassis (2100 W or 2500 W)
- The power redundancy policy used in the chassis (N+1 or N+N)

The table in the Power Supplies section provides guidelines about what number of compute nodes can be powered on in the IBM Flex System Enterprise Chassis, based on the type and number of power supplies installed.

See IBM® ServerProven® at the following web address for the latest information about the servers supported in the IBM Flex System Enterprise Chassis:

<http://ibm.com/servers/eserver/serverproven/compat/us/>

Supported I/O modules

The IBM Flex System Enterprise Chassis has four high-speed switch bays that are capable of supporting a variety of I/O architectures.

The switches are installed in switch bays in the rear of the IBM Flex System Enterprise Chassis as shown in the following figure. Switches are normally installed in pairs (bays 1 & 2, and bays 3 & 4), because I/O adapter cards installed in the compute nodes route to two switch bays for performance and redundancy.

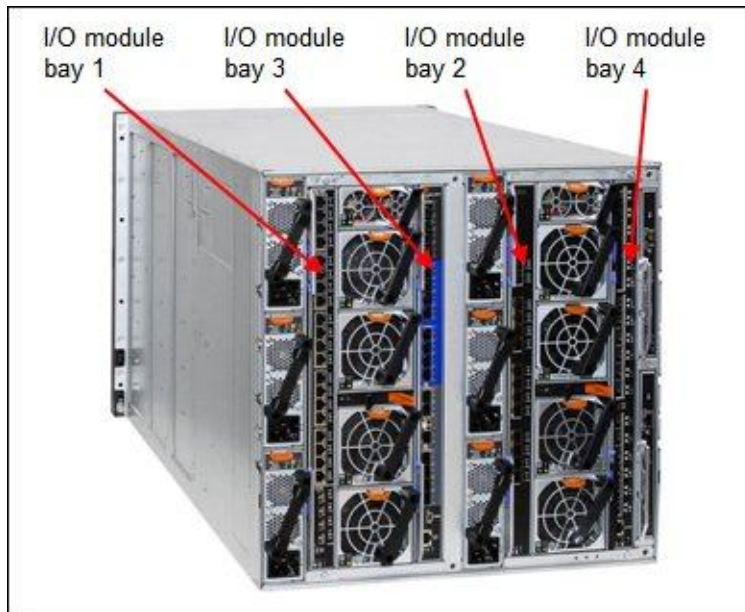


Figure 4. Location of the switch bays in the IBM Flex System Enterprise Chassis

The following figure shows one of the available switches, the IBM Flex System Fabric EN4093 10Gb Scalable Switch. It offers the following interface ports:

- Up to 42 internal 10Gb ports, three to each half-wide compute node bay (not shown in the figure)
- Up to 14 external 10Gb ports with SFP+ connectors (license upgrades enable all ports)
- Up to 2 external 40Gb uplink ports with QSFP+ connectors (license upgrades enable these ports)



Figure 5. IBM Flex System Fabric EN4093 10Gb Scalable Switch

The following table lists the switches that are available for the chassis.

Table 3. I/O modules and upgrades

Description	Part number	System x feature code	Power Systems feature code
Ethernet switches			
IBM Flex System EN6131 40Gb Ethernet Switch	90Y9346	A3HJ	ESW6
IBM Flex System Fabric CN4093 10Gb Converged Scalable Switch	00D5823	A3HH	ESW2
IBM Flex System Fabric EN4093R 10Gb Scalable Switch	05Y3309	A3J6	ESW7
IBM Flex System Fabric EN4093 10Gb Scalable Switch	49Y4270	A0TB	3593
IBM Flex System Fabric SI4093 System Interconnect Module	95Y3313	A45T	ESWA
IBM Flex System EN4091 10Gb Ethernet Pass-thru	88Y6043	A1QV	3700
IBM Flex System EN2092 1Gb Ethernet Scalable Switch	49Y4294	A0TF	3598
Fibre Channel switches			
IBM Flex System FC5022 16Gb SAN Scalable Switch	88Y6374	A1EH	3770
IBM Flex System FC5022 24-port 16Gb SAN Scalable Switch	00Y3324	A3DP	ESW5
IBM Flex System FC5022 24-port 16Gb ESB SAN Scalable Switch	90Y9356	A1EJ	3771
IBM Flex System FC3171 8Gb SAN Switch	69Y1930	A0TD	3595
IBM Flex System FC3171 8Gb SAN Pass-thru	69Y1934	A0TJ	3591
InfiniBand switches			
IBM Flex System IB6131 InfiniBand Switch (QDR/FDR)	90Y3450	A1EK	3699

I/O architecture

Each half-wide compute node (such as the IBM Flex System x240 Compute Node) has two adapter slots, and each full-wide compute node (such as the IBM Flex System x460 Compute Node) has four adapter slots. The adapter slots in each compute node route through the chassis midplane to the switch bays. The architecture supports up to eight ports per adapter although currently only two-port and four-port adapters are available.

The following figure shows how two-port adapters are connected to switches installed in the chassis.

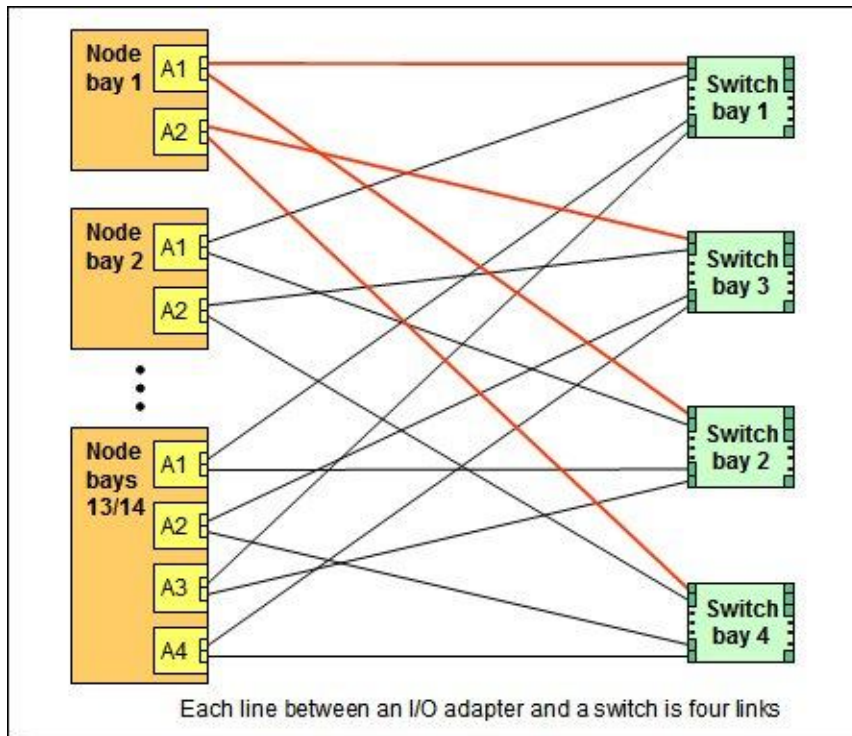


Figure 6. Logical layout of the interconnects between two-port I/O adapters and I/O modules

A four-port adapter doubles the connections between each adapter and switch pair (for example, a four-port adapter in A1 in each compute node routes two connections to switch 1 and two connections to switch 2).

The following figure shows how four-port adapters are connected to switches that are installed in the chassis.

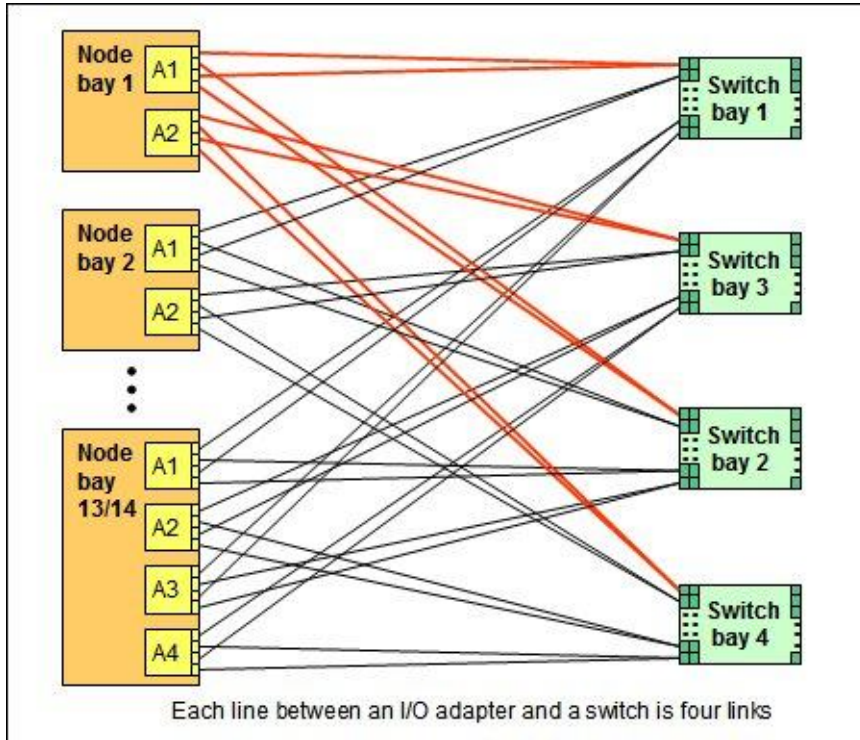


Figure 7. Logical layout of the inter-connections between four-port I/O adapters and I/O modules

To make use of all four ports of a four-port card, you must install two switches in the chassis, and each switch must have 28 internal ports enabled. The IBM Flex System Fabric EN4093 10Gb Scalable Switch with license upgrade 1 enables 28 internal ports, for example. Similarly, when 6-port cards become available, two switches must be installed, and 42 internal ports must be enabled. The IBM Flex System Fabric EN4093 10Gb Scalable Switch with license upgrade 2 enables a total of 42 internal ports, for example.

The following table shows the connections between adapter slots in the compute nodes to the switch bays in the chassis.

Table 4. Adapter to I/O bay correspondence

I/O adapter slot in the server	Port on the adapter	Corresponding I/O module bay in the chassis
Slot 1	Port 1	Module bay 1
	Port 2	Module bay 2
	Port 3 (for 4-port cards)*	Module bay 1
	Port 4 (for 4-port cards)*	Module bay 2
Slot 2	Port 1	Module bay 3
	Port 2	Module bay 4
	Port 3 (for 4-port cards)*	Module bay 3
	Port 4 (for 4-port cards)*	Module bay 4
Slot 3 (full-wide compute nodes only)	Port 1	Module bay 1
	Port 2	Module bay 2
	Port 3 (for 4-port cards)*	Module bay 1
	Port 4 (for 4-port cards)*	Module bay 2
Slot 4 (full-wide compute nodes only)	Port 1	Module bay 3
	Port 2	Module bay 4
	Port 3 (for 4-port cards)*	Module bay 3
	Port 4 (for 4-port cards)*	Module bay 4

* To make use of all four ports of a four-port adapter, the switch must have 28 internal ports enabled, and two switches must be installed in the bays as indicated.

Chassis Management Module

The Chassis Management Module (CMM) provides single-chassis management. The CMM is used to communicate with the management controller in each compute node (IMMv2 in Intel processor-based compute nodes and FSP in POWER7® processor-based compute nodes) to provide system monitoring, event recording and alerts, and to manage the chassis, its devices, and the compute nodes.

The chassis supports up to two CMMs. If one CMM fails, the second CMM can detect its inactivity and activate itself to take control of the system without any disruption. The CMM is central to the management of the chassis and is required in the Enterprise Chassis.

The following figure shows the Chassis Management Module. See Figure 3 for the location of the CMM in the chassis.

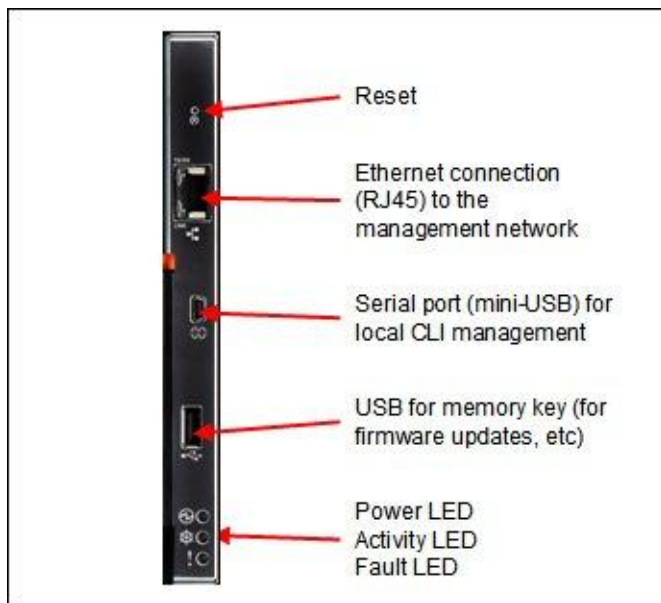


Figure 8. Chassis Management Module

The CMM provides these functions:

- Power control
- Fan management
- Chassis and compute node initialization
- Switch management
- Diagnostics: chassis, I/O options, and compute nodes
- Resource discovery and inventory management
- Resource alerts and monitoring management
- Chassis and compute node power management
- Security policy management
- Role-based access control
- Support for up to 84 local CMM user accounts
- Support for up to 32 simultaneous sessions

The CMM has the following connectors:

- USB connection. This connection can be used for insertion of a USB media key for tasks, such as firmware updates.
- 10/100/1000 Mbps RJ45 Ethernet connection to connect to a management network. The CMM can be managed via this Ethernet port.
- Serial port (mini-USB) for local command-line interface (CLI) management. Use serial cable 90Y9338 for connectivity.

The CMM has the following light-emitting diodes (LEDs) that provide the following information:

- Power-on LED
- Activity LED
- Error LED
- Ethernet port link and port activity LEDs

The CMM also incorporates a reset button, which, when pressed, resets the CMM back to its default condition. It has two functions, depending on how long the button is pressed:

- When pressed for less than 5 seconds, the CMM restarts.
- When pressed for more than 5 seconds (for example, 10 or 15 seconds), the CMM configuration is reset to the manufacturing defaults, and then the CMM restarts.

The CMM supports a web-based graphical user interface (GUI) that provides a way to perform CMM functions within a supported web browser. You can also perform management functions through the CMM command-line interface (CLI). Both the web-based GUI and the CLI are accessible via the single RJ45 Ethernet connector on the CMM or from any other system that is connected to the same (management) network.

The CMM has the following default static IPv4 address. By default, the CMM is configured to respond to Dynamic Host Configuration Protocol (DHCP) first before using its static IPv4 address:

- IP address: 192.168.70.100
- Subnet: 255.255.255.0
- User ID: USERID (all capital letters)
- Password: PASSWORD (all capital letters, with a zero instead of the letter O)

The CMM does not have a fixed static IPv6 IP address, by default. Initial access to the CMM in an IPv6 environment can be performed by either using the IPv4 IP address or the IPv6 link-local address. The IPv6 link-local address is automatically generated based on the Media Access Control (MAC) address of the CMM.

The CMM is the key component enabling the integrated management network. Internally, the CMM has a multiple port L2 1Gigabit Ethernet switch with dedicated links to all 14 node bays, all four switch bays, and the second CMM, if installed. These connections are all point-to-point, ensuring dedicated bandwidth. The 1GbE links are full-duplex, fixed speed (not auto-negotiate) links. The 1 GbE management network is only accessible by each node's management controller (IMMv2 or FSP), each switch module's management interfaces, the CMM, and the IBM Flex System Manager (FSM) management appliance. This design permits the separation of the management network from the data network.

The CMM has a high-security policy that is enabled by default, which means that the following policies are enabled by default:

- Strong password policies with automatic validation and verification checks
- Required update of the default passwords after the initial setup
- Only secure communication protocols, such as SSH and SSL. Unencrypted protocols, such as HTTP, Telnet, and SNMPv1, are disabled.
- Certificates to establish secure, trusted connections for applications that run on the management processors

IBM Flex System Manager

IBM Flex System Manager (FSM) is a systems management solution that offers flexible integrated systems management across compute, storage, and networking resources in the IBM Flex System infrastructure. It is designed to help you get the most out of your IT installation while automating repetitive tasks. It can significantly reduce the number of manual navigational steps for typical management tasks. From simplified system setup procedures with wizards and built-in expertise to consolidated monitoring for all of your physical and virtual resources, FSM provides core management functionality along with automation so that you can focus your efforts on business innovation.

The IBM Flex System Manager compute node provides configuration and management support locally or remotely, for up to 16 chassis, their devices, and the compute nodes.

The following figure shows the IBM Flex System Manager.



Figure 9. IBM Flex System Manager

The IBM Flex System Manager drives efficiency and cost savings in the data center. It provides a pre-integrated and virtualized management environment across servers, storage, and networking that is easily managed from a single pane of glass. It offers the following key features:

- Single focus point for seamless multichassis management provides an instant resource-oriented view of the chassis and chassis resources for compute nodes.
- Design reduces the number of interfaces, steps, and clicks that it takes to manage IT resources.
- Capability to intelligently manage and deploy workloads based on resource availability and predefined policies.
- Management of events and alerts to increase system availability and reduce downtime.
- It helps to drive energy savings and reduce operational costs.

The IBM Flex System Manager offers these main features:

- Monitoring and problem determination:
 - A real-time multichassis view of hardware components with overlays for additional information
 - Automatic detection of issues in your environment through an event setup that triggers alerts and actions
 - Identification of changes that might affect availability
 - Server resource utilization by virtual machine or across a rack of systems
- Hardware management:
 - Automated discovery of physical and virtual servers and interconnections, applications, and supported third-party networking
 - Inventory of hardware components
 - Chassis and hardware component views, including hardware properties, component names and part numbers, firmware levels, energy usage and power consumption, utilization rates, and temperature readings
- Network management:
 - Management of network switches
 - Discovery, inventory, and status monitoring of switches
 - Graphical network topology views
 - Support for KVM, pHyp, and VMware virtual switches, and physical switches
 - Virtual LAN (VLAN) configuration of switches
 - Integration with server management
 - Per-virtual machine network usage and performance statistics provided to VMControl
 - Logical views of servers and network devices grouped by subnet and VLAN
- Storage management:

Storage can also be consolidated onto the FSM platform, or users can virtualize the integrated enterprise storage with other multivendor storage systems within the existing environment, and then control all virtualized storage resources from the IBM Flex System platform.
- Virtualization and workload management:
 - Consolidate physical infrastructure or applications onto fewer servers
 - Deploy new or existing workload onto Linux, Microsoft Windows, or competitive platforms
 - Upgrade current rack or blade infrastructure to an integrated environment
 - Optimize the performance of applications by migrating them to Flex System Manager
 - Move into advanced stages of virtualization or a private cloud deployment
 - Deploy new workloads rapidly
 - Optimize or upgrade high-value, noninfrastructure workloads, such as enterprise resource planning (ERP), customer relationship management (CRM), data warehousing, or analytics

- Additional features:
 - Resource-oriented chassis map provides instant graphical view of chassis resources, including nodes and I/O modules
 - Remote console, including remote keyboard, video, mouse (KVM) session, remotely mounted optical and USB media, and remote power control
 - Hardware detection and inventory creation
 - Firmware compliance and updates
 - Automatic detection of hardware failures and alerting. Capability to take corrective action, including automatically notifying IBM of problems to escalate problem determination
 - Health status, such as CPU utilization, on all hardware devices from a single chassis view
 - Administrative capabilities, such as setting up users within profile groups, assigning security levels, and security governance

Power supplies

A maximum of six power supplies can be installed in the Enterprise Chassis. Either 2500W or 2100W power supplies are available. Two 2500W power supplies are standard in model 8721-A1x. Two 2100W power supplies are standard in model LRx. Additional power supplies are orderable per the following table. All installed power supplies must be the same.

Table 5. Ordering part number and feature code

Description	Part number	System x Feature code	Power Systems Feature code
IBM Flex System Enterprise Chassis 2500W Power Module (1 power supply)	43W9049	A0UC	3590
IBM Flex System Enterprise Chassis 2100W Power Module (1 power supply)	47C7633	A3JH	None

Each power supply part number ships with one 2-meter (6.5 ft) 16A/100-250V, C19 to IEC 320-C20 rack power cable.

The following figure shows the power supply and highlights the light-emitting diodes (LEDs).



Figure 10. Power supply option

Both power supplies are 80 PLUS Platinum-certified. The 2500W modules are 2500 Watts output rated at 200VAC to 208VAC (nominal), and 2750W at 220VAC to 240VAC (nominal). The power supply has an oversubscription rating of up to 3538 Watts output at 200VAC. The power supply operating range is 200-240 VAC. The power supplies also contain two dual independently powered 40mm cooling fan modules that are powered not from the power supply itself, but from the chassis midplane. The fan modules are variable speed and controlled by the chassis fan logic.

The 2100W power supplies are 2100 Watts output power rated at 200-240VAC. Similar to the 2500W unit, this power supply also supports oversubscription, the 2100W unit can run up to 2895W for short duration. The 2100W supplies have two independently powered dual 40mm cooling fans, that pick up power from the midplane included within the power supply assembly.

80 PLUS is a performance specification for power supplies used within servers and computers. To meet the 80 PLUS standard, the power supply must have an efficiency of 80% or greater, at 20%, 50%, and 100% of rated load with PF of .09 or greater. The standard has several grades, such as Bronze, Silver, Gold, and Platinum. More information on 80 PLUS is available at <http://www.80PLUS.org>.

The chassis allows configurations of power supplies to give N+N or N+1 redundancy. A chassis can operate on only three power-supply units (PSUs) with no redundancy, but N+1 or N+N is advised. Three power supplies (or six with N+N redundancy) allow for a balanced three-phase configuration.

All power supply modules are combined into a single power domain within the chassis, which distributes power to each of the compute nodes, I/O modules, and ancillary components through the Enterprise Chassis midplane. The midplane is a highly reliable design with no active components. Each power supply is designed to provide fault isolation and is hot swappable.

In the case of the 2500W supplies, power monitoring of both the DC and AC signals allows the Chassis Management Module to accurately monitor the power supplies. Power monitoring with the 2100W power supplies is currently not supported.

The following figure shows the compute node bay numbering (left) and power supply bay numbering (right).

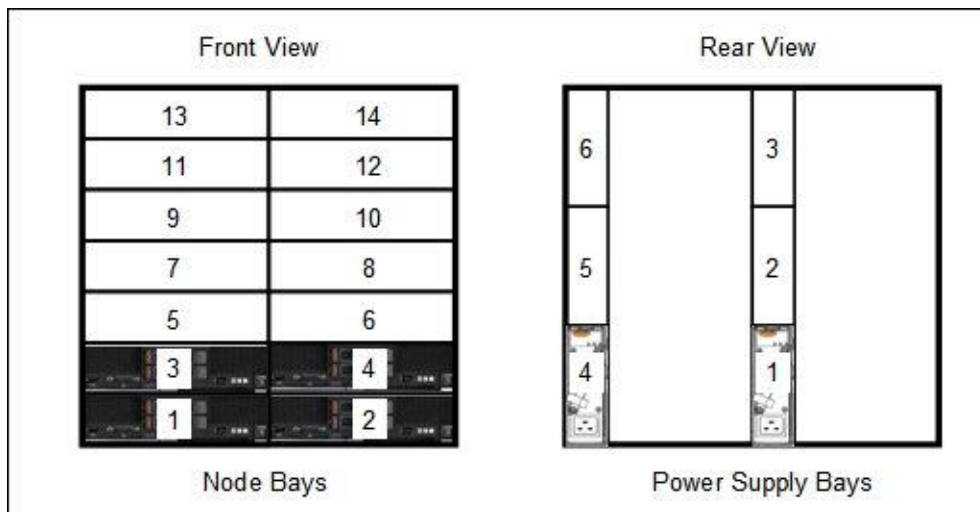


Figure 11. Power supply bay numbering

The following table shows the number of compute nodes that are supported in the chassis based on the power supplies used (2100W or 2500W), the number of power supplies installed, and the power redundancy policy enabled (N+1 or N+N).

In this table, the colors of the cells have the following meaning:

- Green cell: Supported with no restrictions as to the number of compute nodes that can be installed
- Yellow cell: Supported but with restrictions on the number of compute nodes that can be installed.

Note: These tables assume the chassis is filled with identical compute nodes. For more complex configurations, use the Power Configurator:

<http://ibm.com/systems/bladecenter/resources/powerconfig.html>

Table 5. Specific number of compute nodes supported based on installed power supplies

Node	CPU TDP	2100W power supplies				2500W power supplies			
		N+1, N=5 6 total	N+1, N=4 5 total	N+1, N=3 4 total	N+N, N=3 6 total	N+1, N=5 6 total	N+1, N=4 5 total	N+1, N=3 4 total	N+N, N=3 6 total
x240	60 W	14	14	14	14	14	14	14	14
	70 W	14	14	13	14	14	14	14	14
	80 W	14	14	13	13	14	14	14	14
	95 W	14	14	12	12	14	14	14	14
	115 W	14	14	11	12	14	14	14	14
	130 W	14	14	11	11	14	14	13	14
	135 W	14	14	10	11	14	14	13	14
x440	95 W	7	7	6	6	7	7	7	7
	115 W	7	7	5	6	7	7	7	7
	130 W	7	7	5	5	7	7	6	7
p24L	All	14	12	9	10	14	14	12	13
p260	All	14	12	9	10	14	14	12	13
p270	All	14	12	9	9	14	14	12	12
p460	All	7	6	4	5	7	7	6	6
x220	50 W	14	14	14	14	14	14	14	14
	60 W	14	14	14	14	14	14	14	14
	70 W	14	14	14	14	14	14	14	14
	80 W	14	14	14	14	14	14	14	14
	95 W	14	14	14	14	14	14	14	14
x222	50 W	14	14	13	14	14	14	14	14
	60 W	14	14	12	13	14	14	14	14
	70 W	14	14	11	12	14	14	14	14
	80 W	14	14	10	11	14	14	13	14
	95 W	14	13	9	10	14	14	12	13

Each power supply option includes a power cable. Each power supply standard with the chassis includes a power cable. It is a 2-meter (6.5 ft) 16A/100-250V, C19 to IEC 320-C20 Rack Power Cable, feature code 6292. Other supported line cords including three-way split line cords, are listed in the following table.

Table 6. Supported line cords

Description	Part number	System x Feature code
4.3m, 16A/208V, C19 to NEMA L6-20P (US) Line Cord	40K9772	6275
2.5m, 16A/100-240V, C19 to IEC 320-C20 Rack Power Cable	39Y7916	6252
2m, 16A/100-250V, C19 to IEC 320-C20 Rack Power Cable	None	6292
4.3m, US/CAN, NEMA L15-30P - (3P+Gnd) to 3X IEC 320 C19	00D7192	A2Y3
4.3m, EMEA/AP, IEC 309 32A (3P+N+Gnd) to 3X IEC 320 C19	00D7193	A2Y4
4.3m, A/NZ, (PDL/Clipsal) 32A (3P+N+Gnd) to 3X IEC 320 C19	00D7194	A2Y5

Fan modules

The Enterprise Chassis supports up to a total of ten hot-swap fan modules: two 40 mm (1.57 in) fan modules and eight 80 mm (3.14 in) fan modules.

The two 40 mm fan modules distribute airflow to the I/O modules and chassis management modules. Both of these fan modules ship with the chassis. The 80 mm fan modules distribute airflow to the compute nodes through the chassis from front to rear. Each 80 mm fan module actually contains two 80 mm fan modules, back to back at each end of the module, which are counter-rotating. The following figure shows the 80 mm fan module.

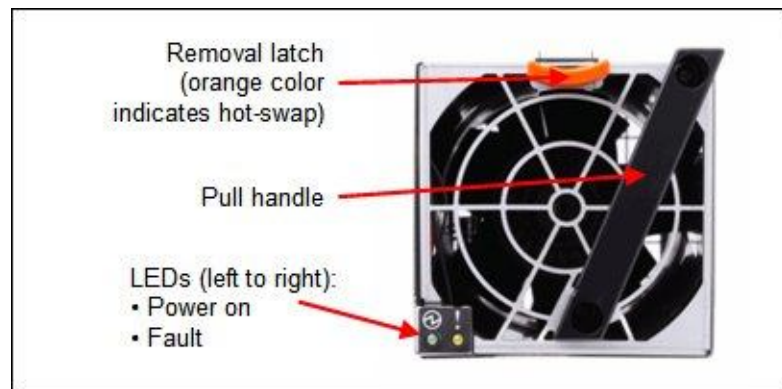


Figure 12. 80 mm fan module

Four 80 mm fan modules are installed standard in chassis model 8721-A1x and CTO orders. The maximum number of 80 mm fan modules that can be installed is eight. Ordering information is shown in the following table. When the modules are ordered as a part number, they are supplied as a pair. Feature codes are for one fan.

Table 7. Fan module ordering information

Description	Part number	System x Feature code	Power Systems Feature code
IBM Flex System Enterprise Chassis 80mm Fan Module	43W9078 (2 fan modules)	A0UA (1 fan module)	7805 (1 fan module)

The 80 mm fan modules are populated, depending on the nodes installed. To support the base configuration and up to four nodes, chassis model 8721-A1x ships with four 80 mm fan modules and two 40 mm fan modules preinstalled. There are two cooling zones for the nodes: a left zone and a right zone. Fan modules must be installed in pairs as shown in the following figure. If there are insufficient fan modules for the number of nodes installed, the compute nodes might be throttled to balance heat generation and cooling capacity.

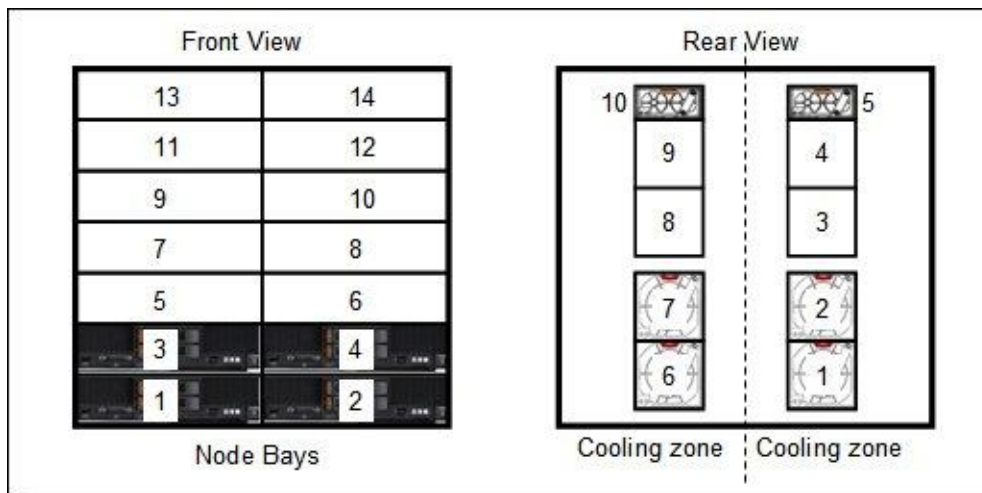


Figure 13. Fan module locations and cooling zones

The 40 mm fan modules are always required. Additional 80 mm fan modules are required as listed in the following table.

Table 8. 80 mm fan module requirements

Description	80 mm fan module requirements
Up to four half-wide compute nodes (node bays 1 - 4)	4 fan modules (fan bays 1, 2, and 6, 7)
Up to eight half-wide compute nodes (node bays 1 - 8)	6 fan modules (fan bays 1, 2, 3 and 6, 7, 8)
All 14 compute node bays (node bays 1 - 14)	8 fan modules (fan bays 1, 2, 3, 4 and 6, 7, 8, 9)

Physical specifications

Dimensions:

- Height: 440 mm (17.3 inches)
- Width: 447 mm (17.6 in)
- Depth, measured from front bezel to rear of chassis: 800 mm (31.5 in)
- Depth, measured from node latch handle to the power supply handle: 840 mm (33.1 in)

Weight:

- Minimum configuration: 96.62 kg (213 lb)
- Maximum configuration: 220.45 kg (486 lb)

Shipping dimensions (approximate):

- Height: 81 cm (32 in)
- Length: 102 cm (40 in)
- Width: 71 cm (24 in)

Supported environment

The IBM Flex System Enterprise Chassis complies with ASHRAE Class A3 specifications.

The following environment is the supported operating environment.

Temperature:

- 0 - 914 m (0 - 3,000 ft): 5 - 40 °C (41 - 104 °F)
- 914 m - 3048 m (3,000 - 10,000 ft): The maximum ambient temperature drops 1 °C for every additional 178 m (584 ft) increase in altitude until the maximum temperature is 28 °C at 3,048 m (10,000 ft)

Relative humidity: 8% - 85%

Maximum altitude: 3,048 m (10,000 ft)

Electrical power:

- 200 - 240 V ac (nominal), 50 or 60 Hz
- Minimum configuration: 0.51 kVA (two power supplies)
- Maximum configuration: 13 kVA (six power supplies)

Power consumption: 12,900 watts maximum

Thermal output, full configuration - 12,900 watts (43,900 Btu/hr)

Acoustical noise emissions for Flex Chassis:

- 7.5 bels operating
- 7.5 bels idling

The noise emission level stated is the declared (upper limit) sound power level, in bels, for a random sample of machines. All measurements are made in accordance with ISO 7779 and reported in conformance with ISO 9296.

Warranty options

The IBM Flex System Enterprise Chassis has a three-year on-site warranty with 9x5 next-business-day terms. IBM offers the warranty service upgrades through IBM ServicePac®, discussed in this section. The IBM ServicePac is a series of prepackaged warranty maintenance upgrades and post-warranty maintenance agreements with a well-defined scope of services, including service hours, response time, term of service, and service agreement terms and conditions.

IBM ServicePac offerings are country-specific. That is, each country might have its own service types, service levels, response times, and terms and conditions. Not all covered types of ServicePac might be available in a particular country. For more information about IBM ServicePac offerings available in your country, see the IBM ServicePac Product Selector at <https://www-304.ibm.com/sales/gss/download/spst/servicepac>.

The following table explains warranty service definitions in more detail.

Table 9. Warranty service definitions

Term	Description
IBM on-site repair (IOR)	A service technician will come to the server's location for equipment repair.
24x7x2 hour	A service technician is scheduled to arrive at your client's location within two hours after remote problem determination is completed. We provide 24-hour service, every day, including IBM holidays.
24x7x4 hour	A service technician is scheduled to arrive at your client's location within four hours after remote problem determination is completed. We provide 24-hour service, every day, including IBM holidays.
9x5x4 hour	A service technician is scheduled to arrive at your client's location within four business hours after remote problem determination is completed. We provide service from 8:00 a.m. to 5:00 p.m. in the client's local time zone, Monday through Friday, excluding IBM holidays. If after 1:00 p.m., it is determined that on-site service is required, the client can expect the service technician to arrive the morning of the following business day. For noncritical service requests, a service technician will arrive by the end of the following business day.
9x5 next business day	A service technician is scheduled to arrive at your client's location on the business day after we receive your call, following remote problem determination. We provide service from 8:00 a.m. to 5:00 p.m. in the client's local time zone, Monday through Friday, excluding IBM holidays.

In general, the following types are the types of IBM ServicePacs:

- Warranty and maintenance service upgrades:
 - One, two, three, four, or five years of 9x5 or 24x7 service coverage
 - On-site repair from the next business day to four or two hours
 - One or two years of warranty extension
- Remote technical support services:
 - One or three years with 24x7 coverage (severity 1) or 9 - 5 next business day for all severities
 - Installation and start-up support for System x servers
 - Remote technical support for System x servers
 - Software support - Support Line:
 - Microsoft or Linux software
 - VMware
 - IBM Systems Director

Regulatory compliance

The server conforms to the following standards:

- ASHRAE Class A3
- FCC - Verified to comply with Part 15 of the FCC Rules Class A
- Canada ICES-004, issue 3 Class A
- UL/IEC 60950-1
- CSA C22.2 No. 60950-1
- NOM-019
- Argentina IEC 60950-1
- Japan VCCI, Class A
- IEC 60950-1 (CB Certificate and CB Test Report)
- China CCC (GB4943); (GB9254, Class A); (GB17625.1)
- Taiwan BSMI CNS13438, Class A; CNS14336
- Australia/New Zealand AS/NZS CISPR 22, Class A
- Korea KN22, Class A, KN24
- Russia/GOST ME01, IEC 60950-1, GOST R 51318.22, GOST R 51318.249, GOST R 51317.3.2, GOST R 51317.3.3
- CE Mark (EN55022 Class A, EN60950-1, EN55024, EN61000-3-2, EN61000-3-3)
- CISPR 22, Class A
- TUV-GS (EN60950-1/IEC 60950-1, EK1-ITB2000)

External disk storage systems

The following options are available for attaching external storage systems to Enterprise Chassis:

- IBM Storwize® V7000
- IBM XIV® Storage System series
- IBM System Storage® DS8000® series
- IBM System Storage DS5000 series
- IBM System Storage DS3000 series
- IBM System Storage N series

The IBM Storwize V7000 is an ideal storage offering for IBM Flex System configurations. Storwize V7000 is an innovative storage offering that delivers essential storage efficiency technologies and exceptional ease of use and performance - all integrated into a compact, modular design.

The Storwize V7000 offers the following capabilities:

- Enables rapid, flexible provisioning and simple configuration changes
- Enables nondisruptive movement of data among tiers of storage, including Easy Tier®
- Enables data placement optimization to improve performance

The most important aspect of the Storwize V7000 and its use with the IBM Flex System Enterprise Chassis is that Storwize V7000 can virtualize external storage:

- Capacity from existing storage systems becomes part of the IBM storage system
- Single-user interface to manage all storage, regardless of vendor: Designed to significantly improve productivity
- Virtualized storage inherits all the rich base-system functions, including FlashCopy®, Easy Tier, and thin provisioning
- Movement of data transparently between external storage and the IBM storage system
- Extension of product life and enhanced value of existing storage assets

Storwize V7000 offers thin provisioning, FlashCopy, Easy Tier, performance management, and optimization. External virtualization allows for rapid data center integration into existing IT infrastructures. The Metro/Global Mirroring option provides support for multiple-site recovery.



Figure 14. IBM Storwize V7000

Top-of-rack Ethernet switches

For enterprise-class installations with multiple IBM Flex System Enterprise Chassis configurations, a top-of-rack Ethernet switch from IBM System Networking provides the necessary level of networking between racks of systems and the rest of your production network. The following table lists the available top-of-rack switches.

Table 10. IBM System Networking - Top-of-rack switches

Part number	Description
IBM System Networking - 1 Gb top-of-rack switches	
0446013	IBM System Networking RackSwitch G8000R
7309CFC	IBM System Networking RackSwitch G8000F
7309CD8	IBM System Networking RackSwitch G8000DC
7309G52	IBM System Networking RackSwitch G8052R
730952F	IBM System Networking RackSwitch G8052F
427348E	IBM Ethernet Switch J48E
6630010	Juniper Networks EX2200 24 Port
6630011	Juniper Networks EX2200 24 Port with PoE
6630012	Juniper Networks EX2200 48 Port
6630013	Juniper Networks EX2200 48 Port with PoE
IBM System Networking - 10 Gb top-of-rack switches	
7309DRX	IBM System Networking RackSwitch G8264CS (Rear to Front)
7309DFX	IBM System Networking RackSwitch G8264CS (Front to Rear)
7309BD5	IBM System Networking RackSwitch G8124DC
7309BR6	IBM System Networking RackSwitch G8124ER
7309BF7	IBM System Networking RackSwitch G8124EF
7309G64	IBM System Networking RackSwitch G8264R
730964F	IBM System Networking RackSwitch G8264F
7309CR9	IBM System Networking RackSwitch G8264TR
7309CF9	IBM System Networking RackSwitch G8264TF
0719410	Juniper Networks EX4500 - Front to Back Airflow
0719420	Juniper Networks EX4500 - Back to Front Airflow
IBM System Networking - 40 Gb top-of-rack switches	
8036ARX	IBM System Networking RackSwitch G8316R
8036AFX	IBM System Networking RackSwitch G8316F

Power distribution units

Power planning for an IBM Flex System Enterprise Chassis is essential.

The Enterprise Chassis has a maximum of six power supplies installed. So, careful consideration must be given to providing the best power-optimized source. Both N+N and N+1 configurations are supported for maximum flexibility in power redundancy. Each power supply in the chassis has a 16A C20 three-pin socket and can be fed by a C19 power cable, from a suitable supply.

The chassis has the ability to accommodate a maximum of six power supplies, so it is possible to balance a three-phase power input into a single chassis or a group of chassis. The chassis power system is designed for efficiency using data center power consisting of three-phase, 60A Delta 200 VAC (North America) or three-phase 32A wye 380-415 VAC (international). The chassis can also be fed from single-phase 200 - 240VAC supplies, if required.

For further details, see the *IBM Flex System Enterprise Chassis Power Requirements Guide*, available from this website:

<http://www.ibm.com/support/techdocs/atsmastr.nsf/WebIndex/PRS4401>

The chassis supports attachments to the power distribution units (PDUs) that are listed in the following table.

Table 11. Power distribution units

Part number	Description
Switched and monitored PDUs	
46M4002	IBM 1U 9 C19/3 C13 Active Energy Manager DPI® PDU
46M4003	IBM 1U 9 C19/3 C13 Active Energy Manager 60A 3 Phase PDU
46M4167	IBM 1U 9 C19/3 C13 Switched and Monitored 30A 3 Phase PDU
46M4134	IBM 0U 12 C19/12 C13 Switched and Monitored 50A 3 Phase PDU
46M4140	IBM 0U 12 C19/12 C13 50A 3 Phase PDU
Enterprise PDUs	
71762MX	IBM Ultra Density Enterprise PDU C19 PDU+ (WW)
71762NX	IBM Ultra Density Enterprise PDU C19 PDU (WW)
71763MU	IBM Ultra Density Enterprise PDU C19 3 phase 60A PDU+ (NA)
71763NU	IBM Ultra Density Enterprise PDU C19 3 phase 60A PDU (NA)
39Y8923	DPI 60A Three Phase C19 Enterprise PDU with IEC309 3P+G (208 V) fixed line cord
39Y8948	DPI Single Phase C19 Enterprise PDU without line cord
Front-end PDUs	
39Y8934	DPI 32amp/250V Front-end PDU with IEC 309 2P+Gnd connector
39Y8938	30amp/125V Front-end PDU with NEMA L5-30P connector
39Y8939	30amp/250V Front-end PDU with NEMA L6-30P connector
39Y8940	60amp/250V Front-end PDU with IEC 309 60A 2P+N+Gnd connector

Uninterruptible power supply units

The IBM Flex System Enterprise Chassis supports attachments to the uninterruptible power supply units listed in the following table.

Table 12. Uninterruptible power supply units

Part number	Description
21303RX	IBM Uninterruptible Power Supply 7500XHV
21304RX	IBM Uninterruptible Power Supply 10000XHV
53956AX	IBM 6000VA LCD 4U Rack Uninterruptible Power Supply (200 V/208 V)
53956KX	IBM 6000VA LCD 4U Rack Uninterruptible Power Supply (230 V)
53959KX	IBM 11000VA LCD 5U Rack Uninterruptible Power Supply (230V)

For more information, see the following IBM Redbooks® Product Guides:

- *IBM 6000VA LCD 4U Rack Uninterruptible Power Supply*
<http://www.redbooks.ibm.com/abstracts/tips0793.html?Open>
- *IBM 11000VA LCD 5U Rack Uninterruptible Power Supply*
<http://www.redbooks.ibm.com/abstracts/tips0814.html?Open>

Rack cabinets

The IBM Flex System Enterprise Chassis is supported in the rack cabinets as listed in the following table. The suggested rack for IBM Flex System is the IBM 42U 1100 mm Enterprise V2 Deep Dynamic Rack, 93634PX.

Table 13. Rack cabinets

Part number	Feature code	Rack cabinet	Supported
93634PX	A1RC	IBM 42U 1100 mm Enterprise V2 Deep Dynamic Rack	Recommended
93634EX	A1RD	IBM 42U 1100 mm Dynamic Enterprise V2 Expansion Rack	Recommended
93634CX	A3GR	IBM PureFlex System 42U Rack	Recommended
93634DX	A3GS	IBM PureFlex System 42U Expansion Rack	Recommended
93634AX	A31F	IBM PureFlex System 42U Rack	Recommended
93634BX	A31G	IBM PureFlex System 42U Expansion Rack	Recommended
201886X	2731	IBM 11U Office Enablement Kit	Yes*
93072PX	6690	IBM S2 25U Static Standard Rack	Yes
93072RX	1042	IBM S2 25U Dynamic Standard Rack	Yes
93074RX	1043	IBM S2 42U Standard Rack	Yes
99564RX	5629	IBM S2 42U Dynamic Standard Rack	Yes
99564XX	5631	IBM S2 42U Dynamic Standard Expansion Rack	Yes
93084PX	5621	IBM 42U Enterprise Rack	Yes
93084EX	5622	IBM 42U Enterprise Expansion Rack	Yes
93604PX	7649	IBM 42U 1200 mm Deep Dynamic Rack	Yes
93604EX	7650	IBM 42U 1200 mm Deep Dynamic Expansion Rack	Yes
93614PX	7651	IBM 42U 1200 mm Deep Static Rack	Yes
93614EX	7652	IBM 42U 1200 mm Deep Static Expansion Rack	Yes
93624PX	7653	IBM 47U 1200 mm Deep Static Rack	Yes
93624EX	7654	IBM 47U 1200 mm Deep Static Expansion Rack	Yes
14102RX	1047	IBM eServer™ Cluster 25U Rack	Yes
14104RX	1048	IBM Linux Cluster 42U Rack	Yes
9306-900	None	IBM Netfinity® Rack	No
9306-910	None	IBM Netfinity Rack	No
9306-42P	None	IBM Netfinity Enterprise Rack	No
9306-42X	None	IBM Netfinity Enterprise Rack Expansion Cabinet	No
9306-200	None	IBM Netfinity NetBAY 22	No

* This Office Enablement kit is specifically designed for the IBM BladeCenter S Chassis. The Flex System Enterprise Chassis can be installed in this kit with 1U of space remaining, however the noise generated by the chassis may not be acceptable for office use.

Rack options

The server supports the rack console switches and monitor kits listed in the following table.

Table 14. Rack options

Part number	Description
Monitor kits and keyboard trays	
172317X	1U 17in Flat Panel Console Kit
172319X	1U 19in Flat Panel Console Kit
Console switches	
1754D2X	IBM Global 4x2x32 Console Manager (GCM32)
1754D1X	IBM Global 2x2x16 Console Manager (GCM16)
1754A2X	IBM Local 2x16 Console Manager (LCM16)
1754A1X	IBM Local 1x8 Console Manager (LCM8)
Rack conversion options	
46M5382	IBM Serial Conversion Option (SCO)
46M5383	IBM Virtual Media Conversion Option Gen2 (VCO2)
39M2895	IBM USB Conversion Option (UCO)

For more information, see the following IBM Redbooks Product Guides:

- *IBM 1754 LCM8 and LCM16 Local Console Managers*
<http://www.redbooks.ibm.com/abstracts/tips0788.html>
- *IBM GCM16 and GCM32 Global Console Managers*
<http://www.redbooks.ibm.com/abstracts/tips0772.html>
- *IBM 1U 17-inch and 19-inch Flat Panel Console Kits*
<http://www.redbooks.ibm.com/abstracts/tips0731.html?Open>

IBM Global Financing

IBM Global Financing can help you obtain the IT solution you need while preserving funding for other strategic investments and optimizing cash flow. Our Fair Market Value (FMV) lease helps ensure that you have the latest IBM technology and with our mid-lease upgrade capability, you can increase the capacity of the system with little to no change in monthly payments. At the end of the lease, take advantage of our flexible end-of-lease options to fit your changing business needs. IBM Global Financing has the breadth and depth of offerings, longevity, proven success, and global reach to help you develop a robust financing and asset management strategy that provides you the opportunity to use new technologies and turn your ambitious vision into a tangible solution.

Here are several other reasons why working with us makes solid financial sense:

- Expand your purchasing power—Affordable monthly payments allow you to change the technology acquisition discussion from "what can I afford right now" to "what solution is really right for my business." IBM Global Financing allows you to expand your purchase power to get you the right solution.
- Accelerate your project's cash flow break-even point—Acquire your IBM technology today and begin to realize its benefits now. An FMV lease can help you get the solution you need now, with low monthly payments that better align up-front costs with the anticipated return on investment from the technology.
- Easy to acquire with affordable rates—We offer one-stop shopping for a total IT solution, so you can acquire IBM hardware, software, services, and the financing you need—from one IT provider.

Plus, we provide simple, easy-to-understand contracts and quick approvals. As the world's largest IT financing provider, with an asset base of US\$35.8 billion and over 125,000 clients, IBM Global Financing offers highly competitive rates that promote the low total cost of ownership and low monthly payments.

IBM Global Financing operates in more than 50 countries. Go to <http://ibm.com/financing> for financing options in your country and to contact a local financing specialist.

IBM Global Financing offerings are provided through IBM Credit LLC in the United States and other IBM subsidiaries and divisions worldwide to qualified commercial and government clients. Rates and availability subject to client's credit rating, financing terms, offering type, equipment, and product type and options, and may vary by country. Non-hardware items must be one-time, non-recurring charges and are financed by means of loans. Other restrictions may apply. Rates and offerings are subject to change, extension, or withdrawal without notice and may not be available in all countries. Please contact your local IBM Global Financing representative for additional detail.

Related publications and links

For more information, see the following resources:

- IBM Flex System product page
<http://ibm.com/systems/flex>
- IBM US Product Announcement for the IBM Flex System Enterprise Chassis
<http://ibm.com/common/ssi/cgi-bin/ssialias?infotype=dd&subtype=ca&&htmlfid=897/ENUS112-053>
- IBM Flex System Information Center
<http://publib.boulder.ibm.com/infocenter/flexsys/information/index.jsp>
- *IBM Flex System Enterprise Chassis Installation and Service Guide*
http://publib.boulder.ibm.com/infocenter/flexsys/information/topic/com.ibm.acc.8721.doc/printable_doc.html
- ServerProven hardware compatibility page for IBM Flex System
<http://www.ibm.com/systems/info/x86servers/serverproven/compat/us/>
- *IBM Flex System Interoperability Guide*
<http://www.redbooks.ibm.com/fsig>
- *IBM Flex System Enterprise Chassis Power Requirements Guide*
<http://www.ibm.com/support/techdocs/atsmastr.nsf/WebIndex/PRS4401>
- IBM Redbooks® publication *IBM Flex System Products and Technology*, SG24-7984
<http://www.redbooks.ibm.com/abstracts/sg247984.html>
- IBM Redbooks Product Guides for IBM Flex System servers and options
<http://www.redbooks.ibm.com/Redbooks.nsf/portals/PureSystems?Open&page=pgbycat>
- IBM Configurator for e-business (e-config)
<http://ibm.com/services/econfig/>
- IBM System x and Cluster Solutions configurator (x-config)
<http://ibm.com/products/hardware/configurator/americas/bhui/asit/>
- IBM System x Configuration and Options Guide:
<http://ibm.com/systems/xbc/cog/>
- ServerProven for IBM Flex System
<http://ibm.com/systems/info/x86servers/serverproven/compat/us/flexsystems.html>
- IBM System Storage® Interoperation Center
<http://www.ibm.com/systems/support/storage/ssic>

Notices

This information was developed for products and services offered in the U.S.A.

IBM may not offer the products, services, or features discussed in this document in other countries. Consult your local IBM representative for information on the products and services currently available in your area. Any reference to an IBM product, program, or service is not intended to state or imply that only that IBM product, program, or service may be used. Any functionally equivalent product, program, or service that does not infringe any IBM intellectual property right may be used instead. However, it is the user's responsibility to evaluate and verify the operation of any non-IBM product, program, or service. IBM may have patents or pending patent applications covering subject matter described in this document. The furnishing of this document does not give you any license to these patents. You can send license inquiries, in writing, to:

IBM Director of Licensing, IBM Corporation, North Castle Drive, Armonk, NY 10504-1785 U.S.A.

The following paragraph does not apply to the United Kingdom or any other country where such provisions are inconsistent with local law: INTERNATIONAL BUSINESS MACHINES CORPORATION PROVIDES THIS PUBLICATION "AS IS" WITHOUT WARRANTY OF ANY KIND, EITHER EXPRESS OR IMPLIED, INCLUDING, BUT NOT LIMITED TO, THE IMPLIED WARRANTIES OF NON-INFRINGEMENT, MERCHANTABILITY OR FITNESS FOR A PARTICULAR PURPOSE. Some states do not allow disclaimer of express or implied warranties in certain transactions, therefore, this statement may not apply to you. This information could include technical inaccuracies or typographical errors. Changes are periodically made to the information herein; these changes will be incorporated in new editions of the publication. IBM may make improvements and/or changes in the product(s) and/or the program(s) described in this publication at any time without notice.

Any references in this information to non-IBM Web sites are provided for convenience only and do not in any manner serve as an endorsement of those Web sites. The materials at those Web sites are not part of the materials for this IBM product and use of those Web sites is at your own risk. IBM may use or distribute any of the information you supply in any way it believes appropriate without incurring any obligation to you. Information concerning non-IBM products was obtained from the suppliers of those products, their published announcements or other publicly available sources. IBM has not tested those products and cannot confirm the accuracy of performance, compatibility or any other claims related to non-IBM products. Questions on the capabilities of non-IBM products should be addressed to the suppliers of those products. This information contains examples of data and reports used in daily business operations. To illustrate them as completely as possible, the examples include the names of individuals, companies, brands, and products. All of these names are fictitious and any similarity to the names and addresses used by an actual business enterprise is entirely coincidental.

Any performance data contained herein was determined in a controlled environment. Therefore, the results obtained in other operating environments may vary significantly. Some measurements may have been made on development-level systems and there is no guarantee that these measurements will be the same on generally available systems. Furthermore, some measurement may have been estimated through extrapolation. Actual results may vary. Users of this document should verify the applicable data for their specific environment.

COPYRIGHT LICENSE:

This information contains sample application programs in source language, which illustrate programming techniques on various operating platforms. You may copy, modify, and distribute these sample programs in any form without payment to IBM, for the purposes of developing, using, marketing or distributing application programs conforming to the application programming interface for the operating platform for which the sample programs are written. These examples have not been thoroughly tested under all conditions. IBM, therefore, cannot guarantee or imply reliability, serviceability, or function of these programs.

© Copyright International Business Machines Corporation 2012. All rights reserved.

Note to U.S. Government Users Restricted Rights -- Use, duplication or disclosure restricted by GSA ADP Schedule Contract with IBM Corp.

This document was created or updated on July 31, 2013.

Send us your comments in one of the following ways:

- Use the online **Contact us** review form found at:
ibm.com/redbooks
- Send your comments in an e-mail to:
redbook@us.ibm.com
- Mail your comments to:
IBM Corporation, International Technical Support Organization
Dept. HYTD Mail Station P099
2455 South Road
Poughkeepsie, NY 12601-5400 U.S.A.

This document is available online at <http://www.ibm.com/redbooks/abstracts/tips0863.html> .

Trademarks

IBM, the IBM logo, and ibm.com are trademarks or registered trademarks of International Business Machines Corporation in the United States, other countries, or both. These and other IBM trademarked terms are marked on their first occurrence in this information with the appropriate symbol (® or ™), indicating US registered or common law trademarks owned by IBM at the time this information was published. Such trademarks may also be registered or common law trademarks in other countries. A current list of IBM trademarks is available on the Web at <http://www.ibm.com/legal/copytrade.shtml>

The following terms are trademarks of the International Business Machines Corporation in the United States, other countries, or both:

DS8000®
Easy Tier®
FlashCopy®
IBM Flex System™
IBM®
Power Systems™
POWER7®
Redbooks®
Redbooks (logo)®
ServerProven®
ServicePac®
Storwize®
System Storage®
System x®
XIV®

The following terms are trademarks of other companies:

Intel, Intel logo, Intel Inside logo, and Intel Centrino logo are trademarks or registered trademarks of Intel Corporation or its subsidiaries in the United States and other countries.

Microsoft, Windows, and the Windows logo are trademarks of Microsoft Corporation in the United States, other countries, or both.

Java and all Java-based trademarks are trademarks of Sun Microsystems, Inc. in the United States, other countries, or both.

Linux is a trademark of Linus Torvalds in the United States, other countries, or both.

Other company, product, or service names may be trademarks or service marks of others.